

SFP28-25G-SR

25GBase SFP28
850nm
100m Reach

+45 (0)32 72 66 76



info@nexgen.eu

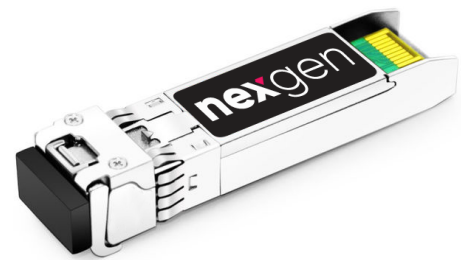


www.nexgen.eu



Features

- Supports 25.78Gb/s data rate
- Up to 100m transmission on MMF
- Duplex LC Connector
- Hot-pluggable SFP28 footprint
- Built-in digital diagnostic functions
- Single +3.3V power supply
- Power dissipation < 1.0W (0°C to 70°C)
- Power dissipation < 1.2W (-40°C to 85°C)
- Commercial operating case temperature: 0°C to 70°C
- Industrial operating case temperature : -40°C to 85°C
- RoHS Compliant



Applications

- 25G Base-SR
- Data Center

Part number	Product description
SFP28-25G-SR	25GBase MMF SFP28 850nm 100m 0°C to 70°C LC Duplex DDM
SFP28-25G-SR-I	25GBase MMF SFP28 850nm 100m -40°C to 85°C LC Duplex DDM

PIN Description

PIN	Symbol	Name - Description	Notes
1	VEET	Transmitter Ground (Common with Receiver Ground)	
2	TFAULT	Transmitter Fault. Not supported.	1
3	TDIS	Transmitter Disable. Laser output disabled on high or open.	2
4	MOD_DEF(2)	Module Definition 2. Data line for Serial ID.	1
5	MOD_DEF(1)	Module Definition 1. Clock line for Serial ID.	1
6	MOD_DEF(0)	Module Definition 0. Grounded within the module.	1
7	Rate Select	No connection required	
8	LOS	Loss of Signal indication. Logic 0 indicates normal operation.	3
9	VEER	Receiver Ground (Common with Transmitter Ground)	
10	VEER	Receiver Ground (Common with Transmitter Ground)	
11	VEER	Receiver Ground (Common with Transmitter Ground)	
12	RD-	Receiver Inverted DATA out. AC Coupled	4
13	RD+	Receiver Non-inverted DATA out. AC Coupled	4
14	VEER	Receiver Ground (Common with Transmitter Ground)	
15	VCCR	Receiver Power Supply	
16	VCCT	Transmitter Power Supply	
17	VEET	Transmitter Ground (Common with Receiver Ground)	
18	TD+	Transmitter Non-Inverted DATA in. AC Coupled.	5
19	TD-	Transmitter Inverted DATA in. AC Coupled.	5
20	VEET	Transmitter Ground (Common with Receiver Ground)	

Notes:

- Open collector/drain output, which should be pulled up with a 4.7kΩ to 10kΩ resistor on the host board if intended for use. Pull up voltage should be between 2.0V to 3.6V. A high output indicates a transmitter fault caused by either the TX bias current or the TX output power exceeding the preset alarm thresholds. A low output indicates normal operation. In the low state, the output is pulled to <0.8V.
- Laser output disabled on Tx_Disable >2.0V or open, enabled on Tx_Disable <0.8V.
- LOS is open collector output. Should be pulled up with 4.7kΩ to 10kΩ on host board to a voltage between 2.0V and 3.6V. Logic 0 indicates normal operation; logic 1 indicates loss of signal.
- RD-/+ : These are the differential receiver outputs. They are internally AC-coupled 100Ω differential lines which should be terminated with 100Ω (differential) at the user SERDES.
- TD-/+ : These are the differential transmitter inputs. They are internally AC-coupled, differential lines with 100Ω differential termination inside the module.



Figure 1. Diagram of host board connector block pin numbers and names

Absolute Maximum Ratings

Parameter	Symbol	Min	Typ	Max	Unit	Notes
Maximum Supply Voltage	V _{cc}	-0.5	-	3.6	V	
Storage Temperature	T _s	-40	-	+85	°C	
Relative Humidity	RH	5	-	95	%	1

Notes:

1. Non-condensing.

Recommend Operation Conditions

Parameter	Symbol	Min	Typ	Max	Unit	Notes
Power Supply Voltage	V _{cc}	3.13	3.3	3.47	V	
Power Supply Current (com.)	I _{cc}	-	-	300	mA	
Power Supply Current (ind.)	I _{cc}	-	-	380	mA	
Power Dissipation (com.)	P _o	-	-	1.0	W	
Power Dissipation (ind.)	P _o	-	-	1.2	W	
Case Operating Temperature (com.)	T _{op}	0	-	+70	°C	
Case Operating Temperature (ind.)	T _{op}	-40	-	+85	°C	

Electrical Characteristics

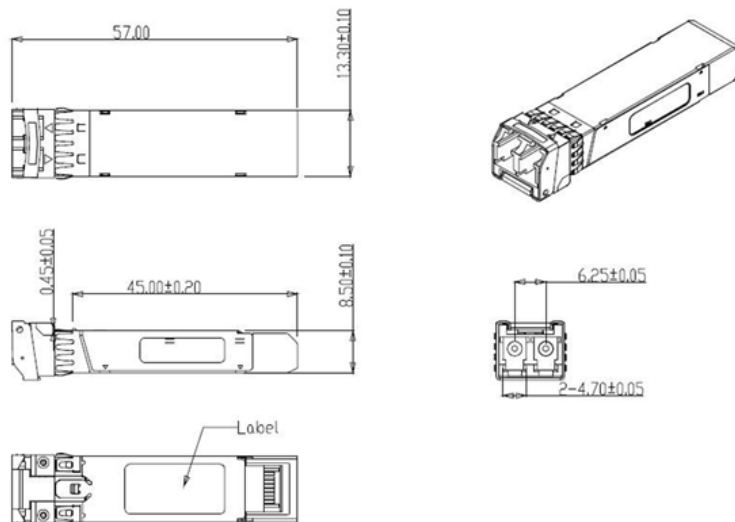
Parameter	Symbol	Min	Typ	Max	Unit	Notes
Transmitter						
Steady State Current	I _{cc}	-	-	300	mA	
Input Differential Impedance	Z _{in}	90	100	110	Ω	
Differential Input Voltage	V _{ppin}	200	-	900	mV	
Receiver						
Output Differential Impedance	Z _{out}	90	100	110	Ω	
Differential Output Voltage	V _{ppout}	100	-	500	mV	

Optical Characteristics

Parameter	Symbol	Min	Typ	Max	Unit	Notes
Transmitter						
Optical Center Wavelength	λ_C	840	850	860	nm	
Average Output Power	P_o	-8.4	-	2.4	dBm	
Optical Extinction Ratio	ER	2.0	-	-	dB	
RMS Spectral Width (-20dB)	$\Delta\lambda$	-	-	0.65	nm	
Data Rate	-	-	25.78	-	Gb/s	
Receiver						
Optical Center Wavelength	λ_C	840	-	860	nm	
Optical Center Wavelength	λ_{sen}	-	-	-10.0	dBm	
Stressed Receiver Sensitivity (OMA)	P_{min}	-	-	-5.2	dBm	
Receiver Overload	P_{max}	3.0	-	-	dBm	
LOS De-Assert	LOSD	-	-	-12	dBm	
LOS Assert	LOSA	-30	-	-	dBm	
LOS Hysteresis	LOSH	0.5	-	-	dB	

Notes:
Sensitivity is measured at 25.75 Gbps with 5x10E-5 BER

Mechanical Dimensions



Revision history

Revision	Date	Author	Description
V1.1	05-03-2020	JGN	Initial Document

Note : Nexgen A/S reserves the right to change this document without notice.